



# Clean Liquid Systems, LLC

7422 Kearney Hill Lane

Spring, TX 77389

Phone# 713-253-0100 / 713-253-5001

dpalermo@cleanliquidsystems.com

don@cleanliquidsystems.com

## SB8HB2 Twin Bag Housing

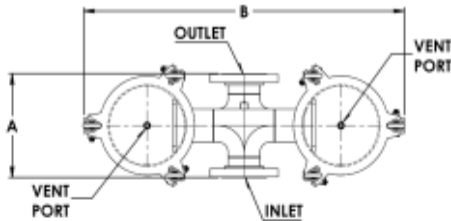
<b>SB8</b>	<b>2</b>	<b>HB2</b>	<b>4F</b>	<b>C</b>	<b>O</b>	<b>15</b>	
<b>Housing Style / Tank</b>	<b>No. of Housings</b>	<b>Housing Type</b>	<b>Connection (inches)</b>	<b>Connection Type</b>	<b>Material</b>	<b>Outlet Location</b>	<b>Pressure Rating (PSI)</b>
SB = Swing Bolt 8 = 8"	2	HB2 (30 in.)	2 3 4	F = Flange N = FNPT	C = Carbon 4 = 304SS 6 = 316SS	O = Opposite Facing L = Like Facing	15 = 150

Conn. Size	Basket Depth
2"	30"
3"	30"
4"	30"

**SB82HB22FCO15**

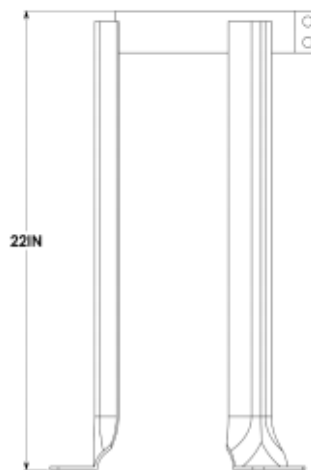
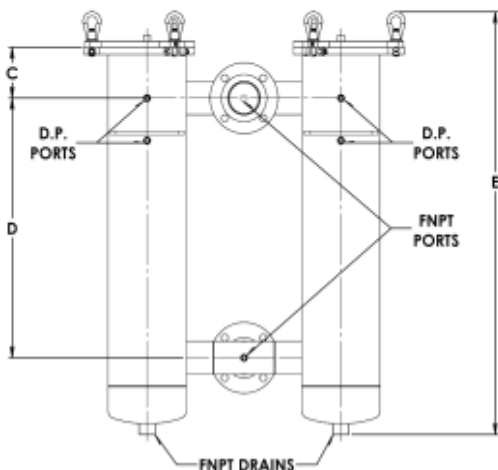


HOUSING	BAG SIZE	CONNECTION SIZE	DIMENSIONS					
			UNIT	A	B	C	D	E
SB82HB	2	2"	IN	9.0	33.6	5.4	27.5	44.8
			MM	23	85	14	70	114
		3"	IN	11.0	35.4	5.4	27.5	44.8
			MM	28	90	14	70	114
		4"	IN	13.0	36.9	5.4	27.5	44.8
			MM	33	94	14	70	114

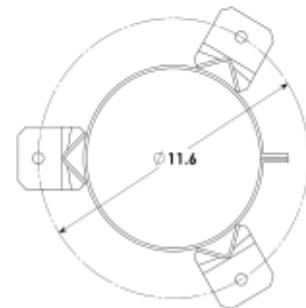


### Housing Details

- ☆ Includes **two housings** with side inlet and outlet connecting each other.
- ☆ Only fits **standard #2 bag**
- ☆ Basket constructed of **304 Stainless Steel, %4 perforated**
- ☆ **Add 25% to the base price of 304SS Housing for price of 316SS Housing.**



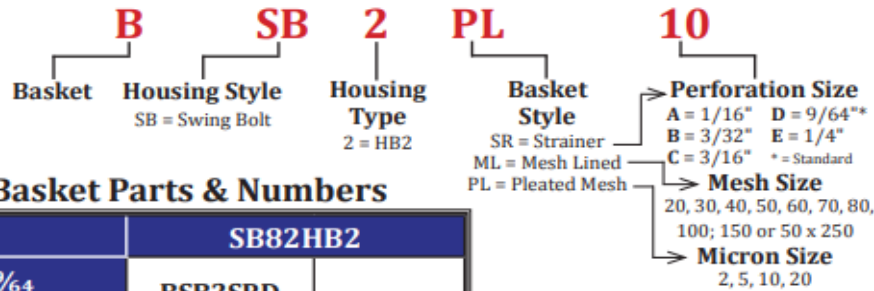
### Fully Adjustable Support Legs





**Clean Liquid Systems, LLC**  
 7422 Kearney Hill Lane  
 Spring, TX 77389  
 Phone# 713-253-0100 / 713-253-5001  
 dpalermo@cleanliquidsystems.com  
 don@cleanliquidsystems.com

## SB8HB2 Twin Options and Parts



### Individual Basket Parts & Numbers

SB82HB2	
Perforated 9/64 Standard Strainer Basket	BSB2SRD
Perforated 1/16", 3/32", 3/16" or 1/4"	BSB2SR(*)
Mesh Lined 20, 30, 40, 50, 60, 70, 80, or 100	BSB2ML(*)
Mesh Lined 150 or 50x250	BSB2ML(*)
Pleated Mesh Lined 20, 30, 40, 50, 60, 70, 80, or 100	BSB2PL(*)
Pleated Mesh Lined 150 or 50x250	BSB2PL(*)
Pleated Mesh Lined 2, 5, 10, 20 Micron	BSB2PL(*)

\*Place Perforation / Mesh / Micron number or size in this location.

### Magnet Post

Housing	Part Number
SB8HB2	MPSB82

### 22" Tripod Leg Assembly

Material	Part Number
Carbon	CLGSB8
304SS	4LGSB8

### Replacement Parts & Numbers

Part Description	Part Number
SB8 Carbon Lid	CLSB8
SB8 304SS Lid	4LSB8
SB8 316SS Lid	6LSB8
SB8 Rod End	EB1/2
SB8 Eye Nut	EN1/2
SB8 Clevis Bolt Assembly	CBA3/8

### O-Rings

Part Description	SB8 Part Number
Buna	OBSB8
Silicone	OSSB8
Viton	OVSB8

### 316SS Liquid Displacer

Housing	Part Number
SB8HB2	LDSBHB2

### 316 SS Hold Down Spring

Part Number
SB8HDS